

# BRAVO DP

BRAVO DP undersink filters have been designed for the production of good and pure water directly at the point of use. The filters can be easily installed under the kitchen sink with a special tap, to be fitted to the sink top, dedicated to the delivery of pure water only, to be used for drinking, cooking and preparing of foods and drinks.

*appliances for drinking water at its best*

*Filter cartridge*



Filter housings made in PET, a highly recyclable plastic, are manufactured with a proprietary procedure saving up to 60% of energy in injection molding compared with standard plastics. That is one of Atlas Filtri commitments to comply with Kyoto Treaty for the reduction of green house gas (CO<sub>2</sub>) emissions in the atmosphere.

COMPANY WITH QUALITY MANAGEMENT  
SYSTEM CERTIFIED BY DNV  
= ISO 9001:2008 =



▶▶▶▶▶ more to drink

# BRAVO DP

undersink filters for drinking water at its best

**BRAVO DP performs Patented and Registered Model Housings.** Thanks to the single head design, BRAVO DP DUO and TRIO have no need for connections nor fittings in between the housings, no work for connections and no risk of leaking. The housing head is stronger and more reliable than ever. In addition, thanks to the design, the width is dramatically reduced **saving space for the installation.**

MAX WORKING PRESSURE 8 BAR

MAX WORKING TEMPERATURE 45°C



HOUSING MONO  
REGISTERED MODEL  
SPACE SAVING

Model	Cartridges assortment	flow l/m
BRAVO DP MONO BT	BT PP LA 5 mcr	6
BRAVO DP MONO CB	CB 5 mcr	6
BRAVO DP MONO AB	AB 0,45 mcr	4
BRAVO DP MONO CASE	CA-SE 0,3 mcr	4
BRAVO DP MONO HF	CA-SE HF 0,15 mcr	6

Model	Cartridges assortment	flow l/m
BRAVO DP DUO FA-LA	FA 5 mcr + LA	6
BRAVO DP DUO FA-CB	FA 5 mcr + CB 5 mcr	6
BRAVO DP DUO FA-AB	FA 5 mcr + AB 0,45 mcr	4
BRAVO DP DUO FA-CASE	FA 5 mcr + CA-SE 0,3 mcr	4
BRAVO DP DUO FA-HF	FA 5 mcr + CA-SE HF 0,15 mcr	6
BRAVO DP DUO PP-LA	PP 5 mcr + LA	6
BRAVO DP DUO PP-CB	PP 5 mcr + CB 5 mcr	6
BRAVO DP DUO PP-AB	PP 5 mcr + AB 0,45 mcr	4
BRAVO DP DUO PP-CASE	PP 5 mcr + CA-SE 0,3 mcr	4
BRAVO DP DUO PP-HF	PP 5 mcr + CA-SE HF 0,15 mcr	6



HOUSING DUO  
REGISTERED MODEL  
PATENT PENDING  
SPACE SAVING



HOUSING TRIO  
REGISTERED MODEL  
PATENT PENDING  
SPACE SAVING

Model	Cartridges assortment	flow l/m
BRAVO DP TRIO FA-CB-AB	FA 5 mcr + CB 5 mcr + AB 0,45 mcr	4
BRAVO DP TRIO FA-LA-CASE	FA 5 mcr + LA + CA-SE 0,3 mcr	4
BRAVO DP TRIO FA-LA-HF	FA 5 mcr + LA + CA-SE HF 0,15 mcr	6
BRAVO DP TRIO FA-CB-HF	FA 5 mcr + CB 5 mcr + CA-SE HF 0,15 mcr	6
BRAVO DP TRIO PP-CB-AB	PP 5 mcr + CB 5 mcr + AB 0,45 mcr	4
BRAVO DP TRIO PP-LA-CASE	PP 5 mcr + LA + CA-SE 0,3 mcr	4
BRAVO DP TRIO PP-LA-HF	PP 5 mcr + LA + CA-SE HF 0,15 mcr	6
BRAVO DP TRIO PP-CB-HF	PP 5 mcr + CB 5 mcr + CA-SE HF 0,15 mcr	6

Flow rate in litres per minute (l/m) is the average water flow from the dedicated tap (filtered water) using a new cartridge. The flow rate may vary in function of water quality and time in service (life-span) of the cartridges. Life-span is the average working life of the cartridge. It depends on the water quality, which is an extremely variable factor: life-span is indicated for a mains water supply with average european characteristics. BRAVO DP are not potable water-makers: control the water quality before installation.

# BRAVO DP CASE

## Portable undersink filters for drinking water at its best

**BRAVO DP CASE performs the Patented and Registered DP Trio housings.**

This model can be used under the kitchen sink, keeping the housing and connection sheltered and protected by its robust case. Portability and easy connections make this filter a convenient solution when moving to other places where water filtration is required: bring your pure water along with you ever!

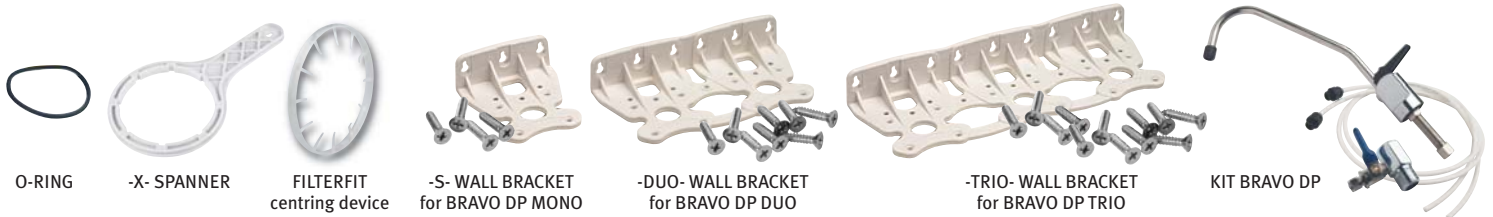
MAX WORKING PRESSURE 8 BAR

MAX WORKING TEMPERATURE 45°C

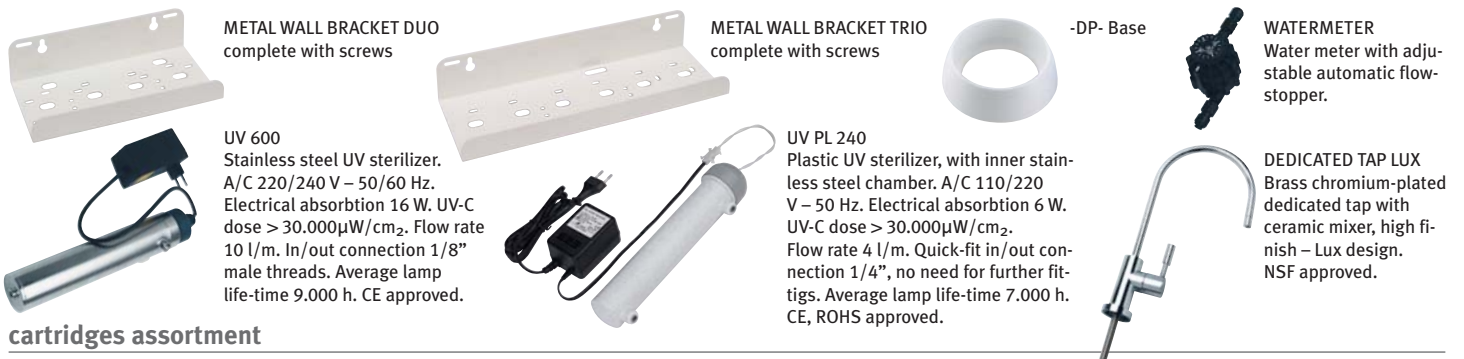
Model	Cartridges assortment	flow l/m
BRAVO DP CASE TRIO FA-CB-AB	FA 5 mcr + CB 5 mcr + AB 0,45 mcr	4
BRAVO DP CASE TRIO FA-LA-CASE	FA 5 mcr + LA + CA-SE 0,3 mcr	4
BRAVO DP CASE TRIO FA-LA-HF	FA 5 mcr + LA + CA-SE HF 0,15 mcr	6
BRAVO DP CASE TRIO FA-CB-HF	FA 5 mcr + CB 5 mcr + CA-SE HF 0,15 mcr	6
BRAVO DP CASE TRIO PP-CB-AB	PP 5 mcr + CB 5 mcr + AB 0,45 mcr	4
BRAVO DP CASE TRIO PP-LA-CASE	PP 5 mcr + LA + CA-SE 0,3 mcr	4
BRAVO DP CASE TRIO PP-LA-HF	PP 5 mcr + LA + CA-SE HF 0,15 mcr	6
BRAVO DP CASE TRIO PP-CB-HF	PP 5 mcr + CB 5 mcr + CA-SE HF 0,15 mcr	6



### accessories included



### accessories available



### cartridges assortment

<p><b>FA 5 micron</b> SEDIMENT. Wound polypropylene filter. Filtration of sand, scales, lime, rust, fine particles. Life-span: 3-6 months.</p>	<p><b>PP/CPP 5 micron</b> SEDIMENT. Melt-blown polypropylene grooved (PP) or smooth (CPP) filter: high efficiency filtration of fine particles, rust, lime, sand, scales. Life-span: 3-6 months.</p>	<p><b>BT PP LA 5 micron</b> SEDIMENT G.A.C. Melt-blown polypropylene filter and Granular Activated Carbon. Filtration of fine particles, rust, lime, sand, scales; reduction of chlorine (bad tastes, odours) and chloride pollutants (pesticides, solvents, etc). Life-span: 3 months.</p>	<p><b>LA</b> CARBON G.A.C. Container with Granular Activated Carbon. Reduction of chlorine (bad tastes, odours) and chloride pollutants (pesticides, solvents, etc). Life-span: 3 months.</p>
<p><b>AB 0,45 micron</b> CERAMIC. Filtration of very fine particles and some micro-organisms. Life-span: 6-12 months. Maintenance: surface scraping every 2-3 months.</p>	<p><b>CB 5 micron</b> CARBON BLOCK. Filtration of fine particles (rust, lime, sand, scales); reduction of chlorine (bad tastes, odours) and chloride pollutants (pesticides, solvents, etc). Life-span: 3-6 months.</p>	<p><b>CA-SE 0,3 micron</b> CARBON BLOCK. Filtration of very fine particles and some micro-organisms; reduction of chlorine (bad tastes, odours) and chloride pollutants (pesticides, solvents, etc). Life-span: 6-12 months. Maintenance: surface scraping every 2-3 months.</p>	<p><b>CA-SE HF 0,15 micron</b> CARBON BLOCK. Microfiltration with "hollow-fibre" capillary membranes (STER-O-TAP®) of very fine particles and some micro-organisms; reduction of chlorine (bad tastes, odours) and chloride pollutants (pesticides, solvents, etc). Life-span: 6 months. Maintenance: surface scraping every 2-3 months.</p>

### variants

Cartridges available on demand

**GAC-Ag** Granular Activated Carbon Silver treated.

**QA-AF** Anti-nitrate ionic exchange resin.

**KDF** Heavy-metals and chlorine reduction medium.

**CA-SE HF-U** Carbon block with "hollow-fibre" ultra-filtration element at 0,02 micron.

Cartridges with double O-ring quick-fit system **BX**.

**Remark:**  
BRAVO DP housings fit to **BX** and standard **SX** (DOE) cartridges.

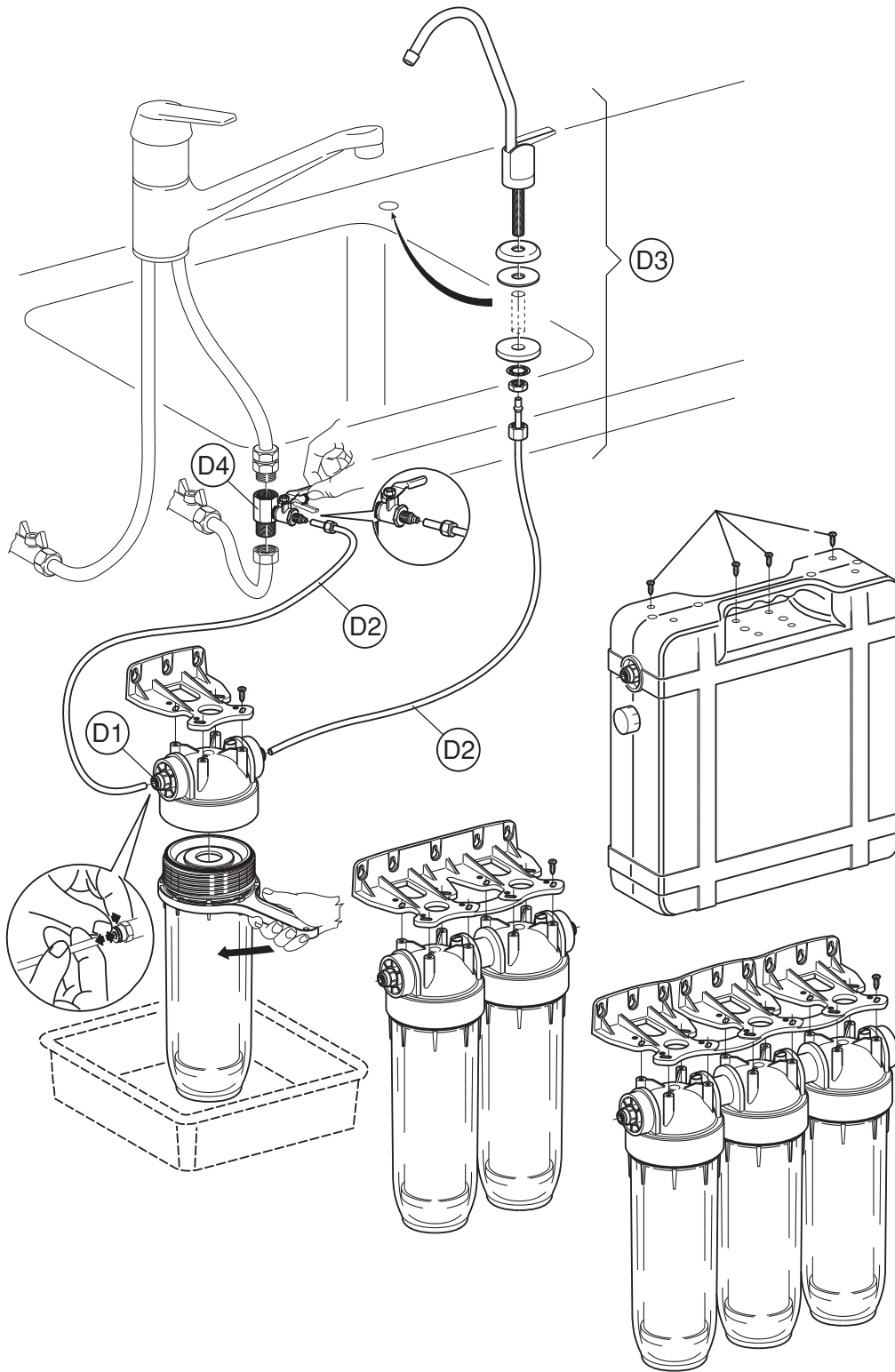


transparent CASE



blue CASE

# INSTALLATION SCHEME



## SPARE PARTS FOR KIT BRAVO DP



**D1** MALE STRAIGHT JUNCTION 1/4" x 1/4"



**D3** DEDICATED TAP



**D2** POLYETHYLENE HOSE 1/4"



**D4** BY-PASS VALVE FOR HOSE 1/4"

